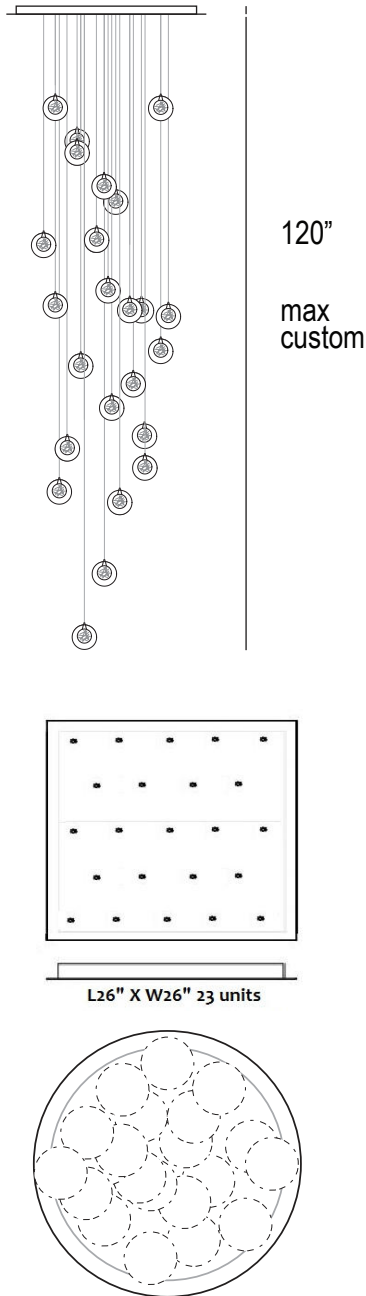
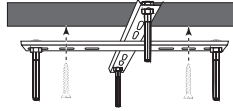
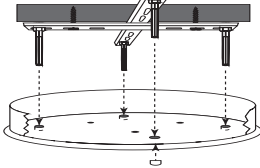





Multicolor Blown Glass  
**Dream23**



- STEPS TO INSTALL**  
Professional installation is recommended
- 
1. Install bracket to ceiling, make sure it is installed properly to a beam in order to support the weight.
- 
2. Connect electrical wires. Secure canopy by closing the bolts with screws on the bracket.
- 
3. Cut all the tie raps from the wires to release.
4. Insert bulbs and hang the Glass.

## Multicolor Blown Glass **Dream23**

### CANOPY OPTIONS:

#### Canopy Sizes Available:

D26" Staggering H36" - H120"

L26" x W26" Staggering H36" - H120"

#### Canopy Colors:

White, Black Brushed Nickel finish.

HANGING WEIGHT: 95lbs

### MATERIAL DESCRIPTION:

Custom Wire (Thin)

22 Hand Blown Glass. D6.5"

Standard Adjustable strands

Custom G9 Lamp Holders

### POWER SOURCE:

22 \* 3 watt Led bulbs (G9) Included.

Some assembly required

cUL- Listed.

Hard-wire; professional installation recommended.

**premiere**  
LUMINAIRE

For additional information, please contact.  
<https://premiereltg.com>



**premiere**  
LUMINAIRE